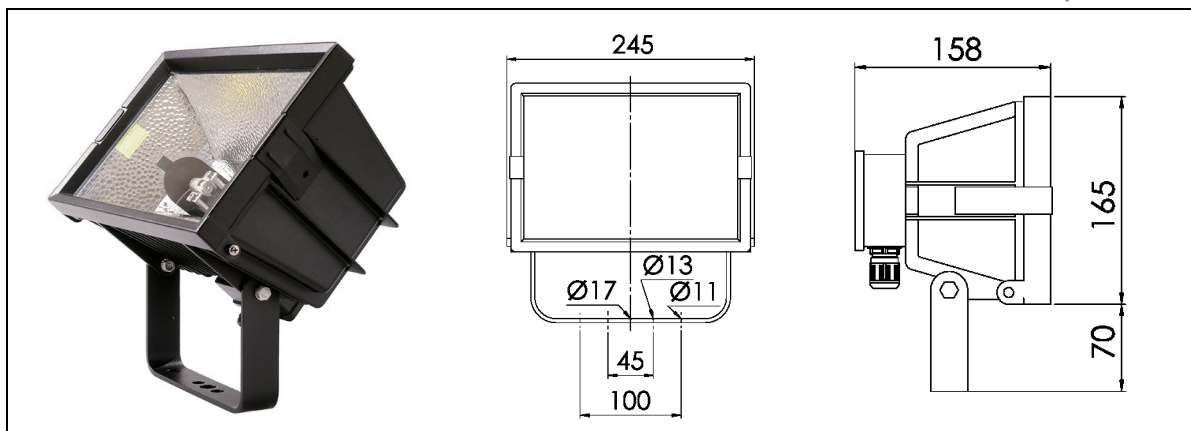


WAL 500

max 500 W,



EN 60 529:	IP 66
:	230 V
:	,
:	, RAL 9005
:	(
:	- 200W/ 5.000 - 300W/ 5.600 - 500W/ 9.500
:	- .../SoW = () M 20 x 1,5 - .../SW =
:	24V/115V
:	(MRLD)

		,
WAL 500	R7s	4,3
WAL 500/SoW	R7s	5,1
WAL 500/SW	R7s	5,6

/			
			,
1987	R7s	WAL 1000	0,1
			,
HR 250/110	(117.6 mm), R7s, 115V, 250W	WAL 500	0,1
HR 300/220	(117.6 mm), R7s, 230V, 300W	WAL 500	0,1
HR 500/110	(117.6 mm), R7s, 115V, 500W	WAL 500	0,1
HR 500/220	(117.6 mm), R7s, 230V, 500W	WAL 500	0,1
			,
WAL 500/GH	-	WAL 500	1,3