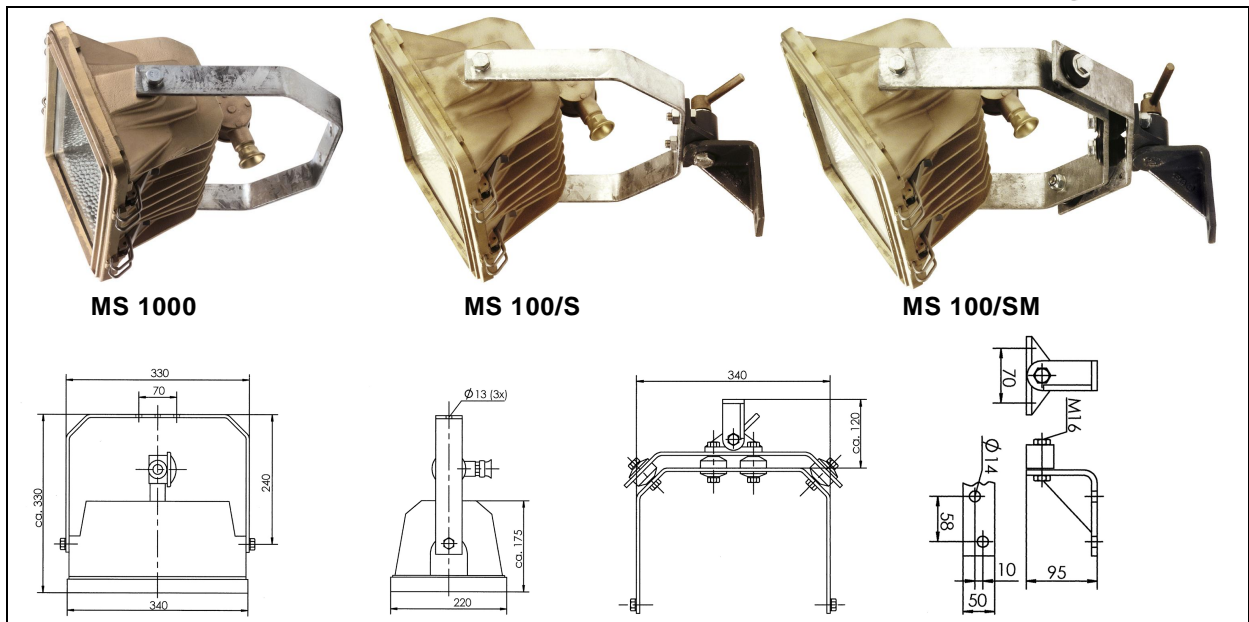


MS 1000

max 1000W,



EN 60 529:	IP 56
:	115 230 V
:	- : /
:	- /S = - SM = - : W10

MS 1000	R7s	13,0
MS 1000/S	R7s	14,3
MS 1000/SM	R7s	15,3

/			
MS 1000/Glas	(324x210x6mm)	MS 1000	1,0
1994	R7s	MS 1000	0,1
HR 1000/110	(189,1mm), R7s, 115V, 1000W	MS 1000	0,1
HR 1000/220	(189,1mm), R7s, 230V, 1000W	MS 1000	0,1