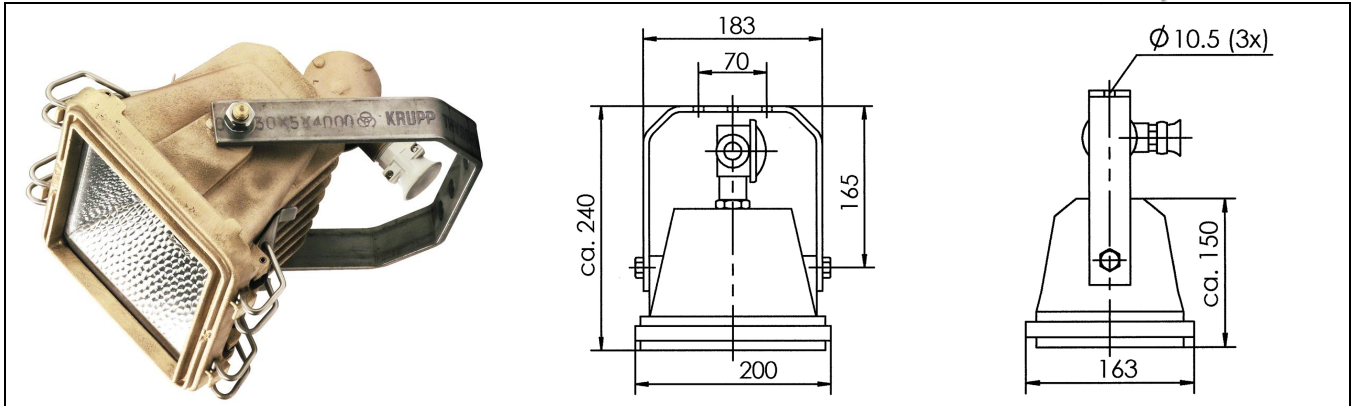


MS 500 (500W)

max. 500W,



EN 60 529:	IP 56
:	115 230 V
:	- :
:	- :
:	- 250W/ . 5.000 - 300W/ . 5.600 - 500W/ . 9.500 ()
:	- .../S = - - : W10

MS 500	R7s	6,0
MS 500/S	R7s	7,4

I			
MS 500/Glass	(184x147x6mm)	MS 500	0,3
HR 250/110	(117,6mm), R7s, 230V/300W	MS 500	0.1
HR 300/220	(117,6mm), R7s, 115V/250W	MS 500	0.1
HR 500/110	(117,6mm), R7s, 115V/500W	MS 500	0.1
HR 500/220	(117,6mm), R7s, 230V/500W	MS 500	0.1
1993	R7s	MS 500	0,1