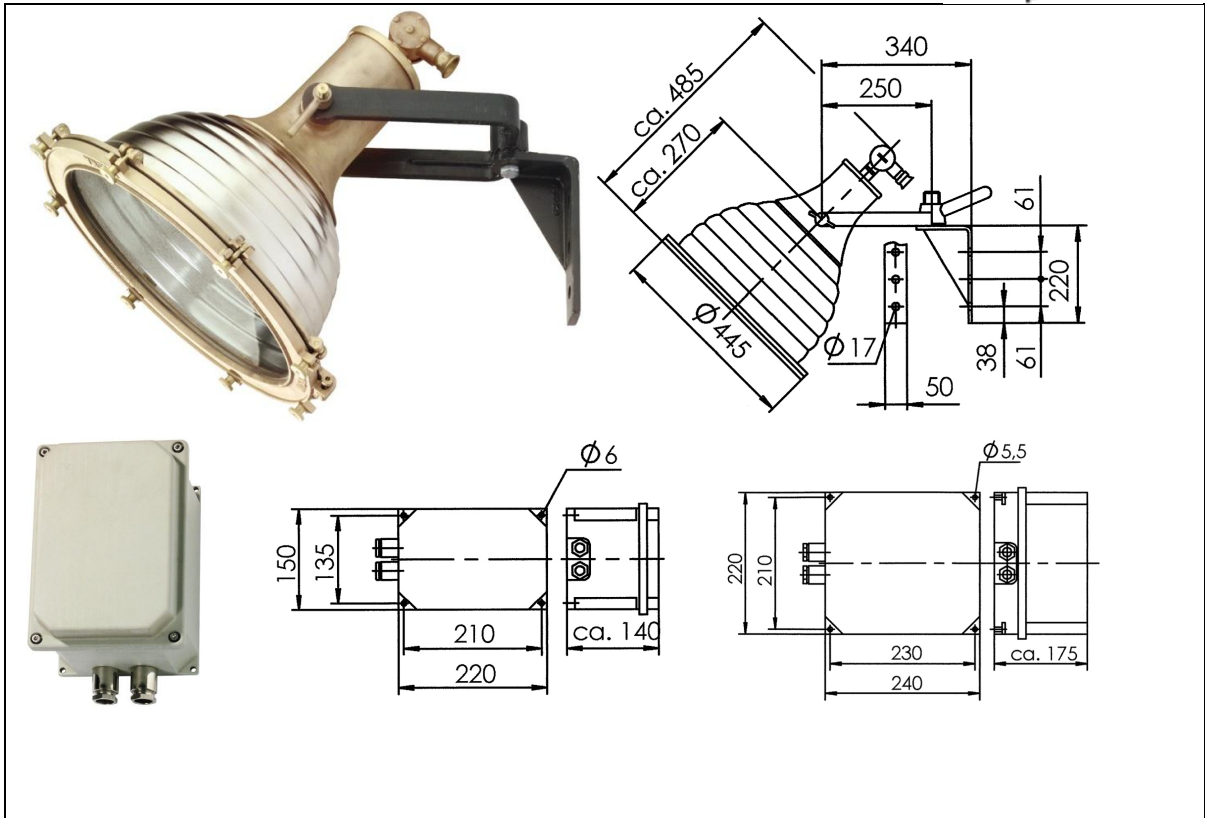


1530/w/ch

(), , max. 1000W



EN 60 529:	IP 56
:	- AC 115/230V - AC 230 V
:	- : / - :
:	- 1000W/ 18.800 - - 400W/ 23.000 ()
:	- - E40 - W12
:	() 115V, 50Hz / 60Hz, IP 56 ()

1530/w/ch	E40	19,0

/				
()				
				,
VKA 400/50	AC, 50Hz	, 2	400W, , IP 55, 230V	1530/w/ch 5,9
VKA 400/60	AC, 60Hz	, 2	400W, , IP 55, 230V	1530/w/ch 5,9
VKA 400/50/k			400W, , 2 , IP 55, 230V AC, 50Hz	1530/w/ch 12,7
VKA 400/60/k			400W, , 2 , IP 55, 230V AC, 60Hz	1530/w/ch 12,7
				,
1973	3/8", E40,	R	FM 1000, DoS 400, 1518/lg/ch, 1530/w/ch, 1530/lg/w/ch	0,3
				,
QL 400		400W, E40	1530/w/ch, 1530/lg/w/ch	0,2
				,
1896		(Ø385 5mm)	1530/w/ch, 1530/lg/w/ch	1,5
1896/gR		(Ø385 5 mm)	1530/w/ch, 1530/lg/w/ch	4,4